



# MACHINE CATALOG



1700



**DARTA** is a chisel plough designed for deep ploughless cultivation. It is equipped as standard with NO STOP hydraulic protection, hydraulic adjustment of the working depth which is perfectly visible through the scale located on the machine. Also as standard, it is equipped with a TANDEM-type spike roller which is great for breaking up clods, mixing the soil surface and aerating it.

**DARTA** - Weight: 1700kg | Power requirements: from 150HP

Standard version:

7 feet	scale
working width: 3m	lighting
hydraulic shaft adjustment	<b>Optional equipment:</b>
NO STOP hydraulic protection	other shafts
TANDEM spike roller	
maintenance-free hub	

# PORTO XXL



3000



**PORTO** is a ploughless unit for shallow and deep cultivation. It is folded hydraulically for transport, allowing it to travel safely from field to field. It is equipped with Delta Flex legs made of high-quality steel. Each leg is fitted with a NO STOP hydraulic safety device, which further allows the clamping force to be adjusted. The unit also has one row of harrowing discs and, in the basic version, a tubular roller. Other shafts are optional. The sturdy frame made of solid sections and quality steel will stand up to even the toughest conditions. The whole structure is powder-coated and the actuators have a thick chromium plating.

Working width: 4 and 5 m.

**PORTO 4.0** - Weight: 2200kg | Power requirements: from 220HP

**PORTO 5.0** - Weight: 3000kg | Power requirements: from 300HP

Standard version:

discs 460      hydraulically foldable

Delta Flex tines      hydro-key protection

hydraulic shaft adjustment      **Optional equipment:**

NO STOP hydraulic protection      other shafts

tubular roller

maintenance-free hub

# PORTO



The **PORTO** no tillage cultivator is an agricultural machine equipped with 10 teeth of Delta Flex type and a set of 10 discs of 460mm diameter. The aggregate has a hydraulic non-stop system with adjustable pressure to the machine's working depth. The weight of the **PORTO** no tillage unit includes a 500 mm tubular shaft. PORTO no tillage aggregate is an agricultural unit which is used both for shallow and deep cultivation. Equipped with 10 Delta Flex legs (teeth) made of high quality steel. Each leg has a NON STOP hydraulic lock, which additionally allows for adjusting pressure. The **PORTO** no tillage aggregate is also equipped with 1 row of discs (10 pieces) and a tubular roller in the basic version (other models of rollers are optional). A solid frame made of massive steel profiles and high-quality steel works in the toughest conditions. The entire structure is covered with a powder varnish and hydraulic cylinders have a thick chrome coating.

**PORTO 2.5** - Weight: 1300kg | Power requirements: from 120HP

**PORTO 3.0** - Weight: 1500kg | Power requirements: from 110HP

Standard version:	Optional equipment:
460mm disks	Wheel assembly hub
10 Delta Flex teeth	T Roll
Maintenance-free (cast iron) hub	V Roll
NON STOP hydraulic protection	Other shafts
Tubular shaft	Hydraulic working depth adjustment

NO TILLAGE AGGREGATE



1500



## DISK HARROW ATOS (without hydropack)

# ATOS

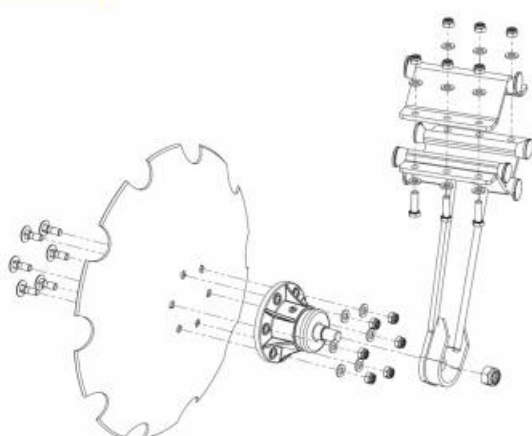


1210



**ATOS** disk seed drills are used for breaking up, cutting and softening soil by the use of two rows of teathed, 560mm disks. Disks are protected by rubber dampeners, protecting them from mechanical strains. **ATOS** is equipped with a rear tubular roller (with hydraulic height adjustment) that is used for additional crumbling, packing and levelling of the ground, as well as side screens that reduce the amounts of soil flying off the machine's working area. The double powder coating that is used on **ATOS** improves its resistance to weather and corrosion. The seed drill is also equipped with a hydropack - our original design. Hydropack's role is to pull the seeder onto the machine, in turn reducing the length between the tractor and the sowing machine (removing the "lever" effect).

It can be equipped with 510mm or 610mm disks and a different roller per order. The total weight of the machinery, which includes the disk aggregate, tubular roller and hydropack - depending on the selected type - amounts to 1250-1450kg. The light weight allows the use of a lower-power tractor (starting from 80HP!) **ATOS** disk seed drills are recommended for the use on lightly and medium-compacted soils. It is proven itself not only in the preparation process of the soil, but also in mixing soil with fertilizers or lime.



**ATOS 3.0** - Weight: 1210kg | Power requirements: from 80HP

**ATOS 3.5** - Weight: 1290kg | Power requirements: from 100HP

**ATOS 4.0** - Weight: 1370kg | Power requirements: from 120HP

### Standard version:

### Optional equipment:

560mm disks

Maintenance-free (cast iron) hub

Wheel assembly hub

610mm disks

Side screens

Active side screen

Tubular roller 500mm

Rubber dampeners



**ATOS** disk seed drills are used for breaking up, cutting and softening soil by the use of two rows of teething, 560mm disks. Disks are protected by rubber dampeners, protecting them from mechanical strains. **ATOS** is equipped with a rear tubular roller (with hydraulic height adjustment) that is used for additional crumbling, packing and levelling of the ground, as well as side screens that reduce the amounts of soil flying off the machine's working area. The double powder coating that is used on **ATOS** improves its resistance to weather and corrosion. The seed drill is also equipped with a hydropack - our original design. Hydropack's role is to pull the seeder onto the machine, in turn reducing the length between the tractor and the sowing machine (removing the "lever" effect).

It can be equipped with 510mm or 610mm disks and a different roller per order. The total weight of the machinery, which includes the disk aggregate, tubular roller and hydropack - depending on the selected type - amounts to 1250-1450kg. The light weight allows the use of a lower-power tractor (starting from 80HP!) **ATOS** disk seed drills are recommended for the use on lightly and medium-compacted soils. It is proven itself not only in the preparation process of the soil, but also in mixing soil with fertilizers or lime.

**ATOS 2.7** - Weight: 1220kg | Power requirements: from 120HP

**ATOS 3.0** - Weight: 1310kg | Power requirements: from 130HP

Standard version:	Optional equipment:
560mm disks	Maintenance-free (cast iron) hub
Hydropack (2 actuators)	Drawbar
Wheel assembly hub	Active side screen
Side screens	
Tubular shaft	

# ARAMIS



Scraper seed drill **ARAMIS** is a combined cultivator and seed drill. It is used for softening soil, pre-sowing cultivation, and sowing in one go. **ARAMIS** is most efficient on lightly and medium-packed soils. **ARAMIS** is constructed from two frontal string bar rollers used for levelling the ground, two rows of teeth that soften it, and a rear roller used for breaking up and packing soil – a complete set of preparations of soil for seeding. It can additionally be equipped with a hydropack, allowing for connecting it to a tractor.

Scraper seed drills are available in three working widths: 2.5, 2.7 and 3.0m. The light weight allows the use of a lower-power tractor (starting from 70HP!). You can also order an additional row of teeth, Packer roller or string rollers for even greater quality of cultivation.

**ARAMIS 2.5** - Weight: 650kg | Power requirements: from 65HP

**ARAMIS 2.7** - Weight: 700kg | Power requirements: from 70HP

**ARAMIS 3.0** - Weight: 720kg | Power requirements: from 70HP

Standard version:	Optional equipment:
2 rows of teeth	Reinforced actuators (4 pieces - total load capacity 1400kg)
Hydropack (2 actuators)	
Tubular shaft	

**1810**

**ATOS DRIVE** - a modern, half-suspended Combined cultivator and seed drill. The machine is well-suited for both cultivating after the harvest, as well as during sowing. It can be equipped with a hydropack, allowing for connecting other machines, e.g. harrows. An integral part of **ATOS DRIVE** is a 10-wheeled tire shaft (width: 270mm). It allows for the soil to be compacted due to the ability to precisely set the height of the machine. Another advantage of the tire shaft is the reduction of the required power of a tractor, as it is used in during the transportation on a road, and during the work on a field.

**ATOS DRIVE** was constructed using high-quality materials and modern components. Thanks to this, it is not only reliable during its operation, but also sturdy. It is a great investment for many years. Another factor improving its reliability is the powder coating that protects the machine from rust. **ATOS DRIVE** is certified and adheres to all EU safety regulations.

**ATOS DRIVE 3m** - Weight: 1810kg | Power requirements: from 80HP

Standard version:	Optional equipment:
560mm disks	Maintenance-free (cast iron) hub
Hydropack (2 actuators)	Active side screen
Tire shaft assembly	
Drawbar with two categories of handles	
Wheel assembly hub	
Side screens	
Hydraulic roller adjustment	

# TYTAN



The **TYTAN** disc harrow is designed for heavy duty use. With its high weight, it allows for work on the heaviest soils. The machine is equipped with a central trolley, which does an excellent job of transporting the machine and keeps it balanced. **TYTAN** has the ability to turn around on embankments. In addition, the machine is equipped with a hydraulic drawbar for easy turning.

# HEAVY DISC HARROW



7800



**TYTAN 4.0** - Weight: 6800kg | Power requirements: from 180HP

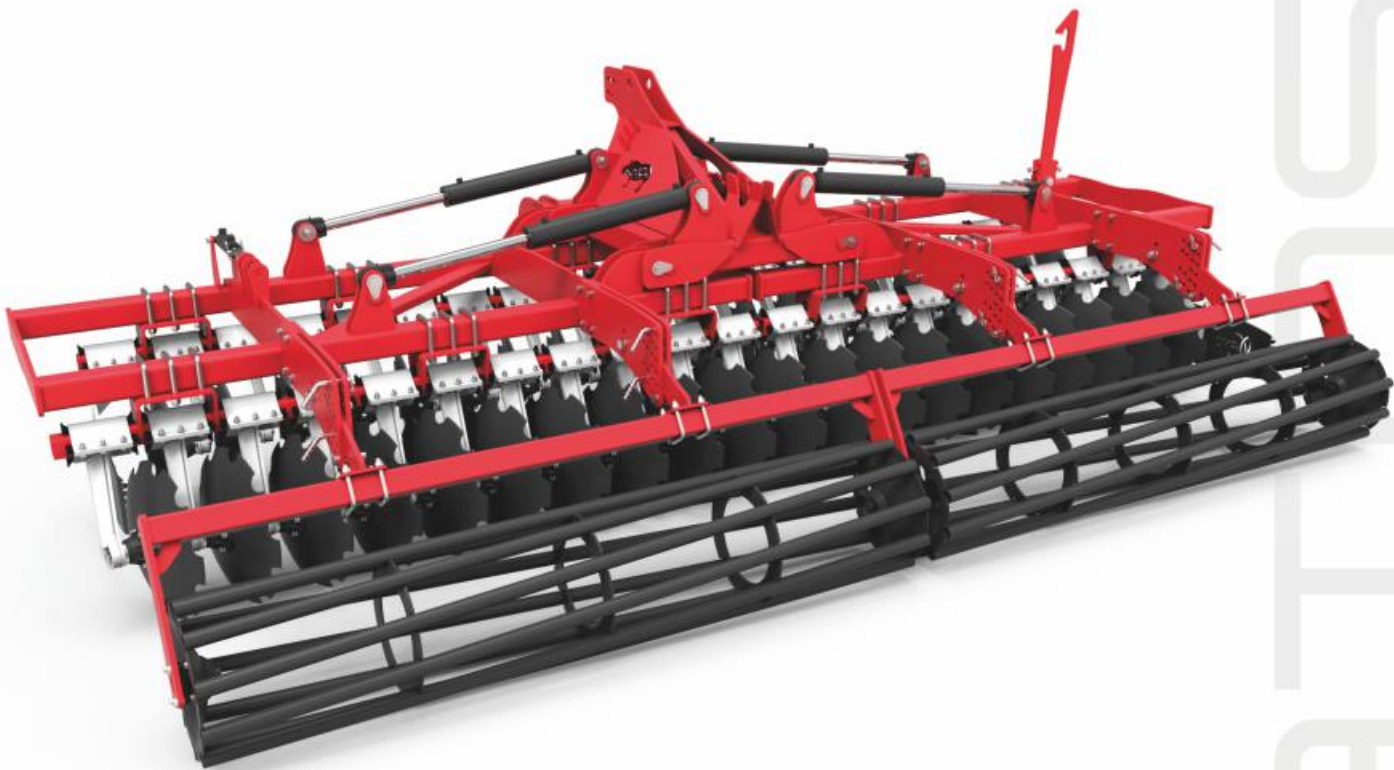
**TYTAN 5.0** - Weight: 7000kg | Power requirements: from 200HP

**TYTAN 6.0** - Weight: 7800kg | Power requirements: from 250HP

### Standard version:

discs 610	hydraulic depth adjustment
steel hub (premium)	central trolley
U-ring-tandem shaft	active side screens
hydraulic drawbar adjustment	reinforced rubber shock absorbers
brake axle, 520 tyres	<b>Optional equipment:</b>
2x2 support wheels	SKF hub
possibility to turn around on embankments	auxiliary lighting

# ATOS XXL



# DISK HARROW



The **ATOS XXL** disk harrow is used for low-depth cultivation after the harvest. Its main task is to mix the leftover stubble and stimulate the growth of self-sowing. It can also replace a plough and effectively remove weeds and soil lumps. **ATOS XXL** is equipped with teathed disks placed on rubber dampeners, and a roller that is used for packing and compacting soil (allowing for decomposing processes to take place correctly).

Our disk harrows are capable of improving tasks related to harvesting and greatly improving the quality of cultivation. This comes from the use of modern solutions and the highest quality components, allowing our machinery to operate flawlessly for many years. **ATOS XXL** is powder coated, protecting it from corrosion and various weather conditions. Multiple variant choices, including width, make **ATOS XXL** have various applications and will meet the expectations of the most demanding users.

<b>ATOS XXL 4</b> - Weight: 2100kg   Power requirements: from 130HP
<b>ATOS XXL 4,5</b> - Weight: 2600kg   Power requirements: from 140HP
<b>ATOS XXL 5</b> - Weight: 2900kg   Power requirements: from 140HP
<b>ATOS XXL 6</b> - Weight: 3480kg   Power requirements: from 160HP

Standard version:	Optional equipment:
560mm disks	610mm disks
4 adjustable actuators	Transport trolley + drawbar
Hydraulic protection	Transport trolley (pulled onto the machine as shown in the photo)
Maintenance-free (cast iron) hub	Hydraulic roller adjustment
Side screens	
Angle of attack adjustment	
Tubular shaft	

# GŁĘBOSZ



Głębosz with hydraulic secure



Głębosz with secure wheels



# CULTIVATOR

kg  
980



**GŁĘBOSZ** seed drill is used for preparing soil for sowing. Its main task is to soften the soil up to a depth of 30cm. It is capable of loosening the soil, allowing air and water to easily penetrate it. By choosing the correct angle of attack, GŁĘBOSZ easily cuts into the ground and effectively fulfils its role.

**GŁĘBOSZ** is available in two variants: with 6 arms (standard version), or with 4 arms (on demand). It is available to attach any type of roller, allowing to adjust the height based on your needs. The machine has a protective pin mechanism, preventing rocks hitting the seed drill, and thus safeguarding arms from mechanical failures.

The machine has been double powder-coated, further protecting it from corrosion and weather conditions.

**GŁĘBOSZ 3m** - Efficiency 10km/h: 3 ha | Weight: 980kg | Power requirements: from 165HP

**GŁĘBOSZ 2m** - Efficiency 10km/h: 2 ha | Weight: 688kg | Power requirements: from 110HP

Standard version:	Optional equipment:
Tubular shaft 500 mm	Hydraulic secure
6 arms (Głębosz 3m)/ 4 arms (Głębosz 2m)	Spiky roller
Secure wheels	
Powder coating	

## CULTIVATING ROLLER

# HUGE 5.2, 6.2



2650



**HUGE** cultivating rollers are used primarily for levelling the ground and breaking up lumps. Rolling improves the soil texture, allowing for much better contact of seeds with soil, as well as improving plant growth. Rolling is a task mainly done on crop fields, but they are also used on turf soils and grasslands - it improves quality of crops over time. It also allows improves soil structure and prevents erosion.

**HUGE** roller accelerates decomposition of stubble and crop residues, and it can be used on grasslands. Its quality is exceptional thanks to the use of modern components and technologies, allowing for effective rolling. The machine has been powder-coated, preventing it from corrosion and unfavorable weather conditions.

**HUGE 5.2m** - Weight: 2300kg | Power requirements: from 80HP

**HUGE 6.2m** - Weight: 2650kg | Power requirements: from 80HP

#### Standard version:

500mm Cambridge rings

Unfolding prevention mechanism

Single-actuator folding

#### Optional equipment:

Cambridge rings: 450mm or 530mm or 600mm

Crosskill rings: 350mm or 550mm

Inverted cap: 540mm

# CULTIVATING ROLLER

## HUGE 3.2

kg  
1020



**HUGE** cultivating rollers are used primarily for levelling the ground and breaking up lumps. Rolling improves the soil texture, allowing for much better contact of seeds with soil, as well as improving plant growth. Rolling is a task mainly done on crop fields, but they are also used on turf soils and grasslands - it improves quality of crops over time. It also allows improves soil structure and prevents erosion.

**HUGE** roller accelerates decomposition of stubble and crop residues, and it can be used on grasslands. Its quality is exceptional thanks to the use of modern components and technologies, allowing for effective rolling. The machine has been powder-coated, preventing it from corrosion and unfavorable weather conditions.

**HUGE 3.2m** - Weight: 1020kg | Power requirements: from 70HP

Standard version:

500mm Cambridge rings

Folded manually

Optional equipment:

450 Cambridge rings



# HUGE 6.2



The **HUGE 6.2** roller is designed to level the field and break up clods in the soil. Rolling improves structure of the soil and this means better contact of seeds with the soil and uniform emergence of plants. The machine might be used before and after sowing. It is equipped with a hydraulic dragline. The trolley is equipped with proportional hydraulic cylinders, thanks to which the entire width of the roller maintains the same working height, which means better appearance of the field after

**HUGE 6.2m** - Weight: 3650kg | Power requirements: from 140HP

Standard version:	Optional equipment:
500 mm Cambridge rings	450 Cambridge rings
Proportional drag	530 Cambridge rings
Supporting leg	550 Crosskil rings
3 hydraulic cylinders	Meadow rings

# CULTIVATING ROLLER



3650



Find us:



YouTube



AMJ AGRO  
Józefin 23  
97-225 Ujazd

tel. +48 44 719 23 24  
fax. +48 44 787 69 92  
kom. +48 698 120 806

mail: [biuro@amjagro.pl](mailto:biuro@amjagro.pl)  
[www.amjagro.pl](http://www.amjagro.pl)

Distributor:

